

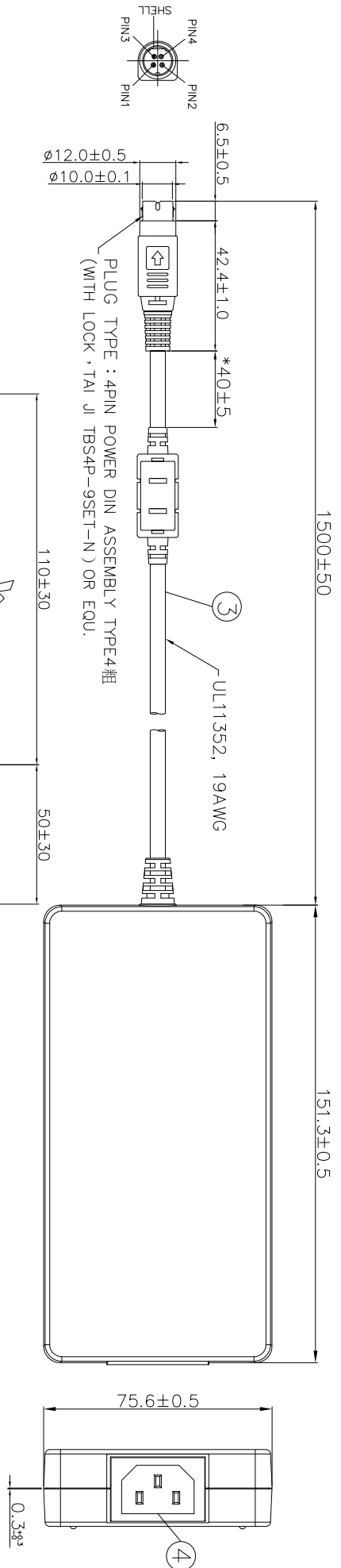
MECHANICAL DRAWING



OAD-00010246

FSP120-AAAN3

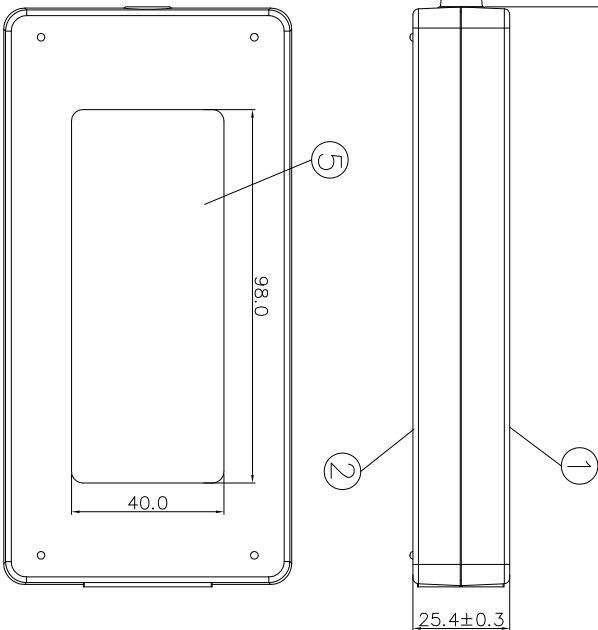
Date:2022-09-20 20:49



DIN PLUG	POLARITY
P1	V0(+)
P2	
SHIELD	
P3	
P4	GND(-)

ITEM	PART NAME	COLOR
1	COVER	BLACK
2	CHASSIS	BLACK
3	POWER CORD	BLACK
4	SOCKET	BLACK
5	LABEL	BLACK

CABLE TIE STEEL WIRE
PE PLATED.



P/N.:9NA1206653

THIRD ANGLE PROJECTION		DIMENSIONAL TOLERANCES		HOLES : ±0.05 ANGLES : ±0.5°		Functional Ground R/C Type: R = 1k ohm, C = Not Assembled	
()	±0.3	()	±0.3	()	±0.3	Register Number:	C200409006
()	±0.3	()	±0.3	()	±0.3	Switch from:	9NA1206628
()	±0.3	()	±0.3	()	±0.3	MODEL NO. : FSP120-AAAN3	PE
()	±0.3	()	±0.3	()	±0.3	R&D3 Division	Angela
()	±0.3	()	±0.3	()	±0.3	ME	Angela
()	±0.3	()	±0.3	()	±0.3	DATE	2022/09/20
()	±0.3	()	±0.3	()	±0.3	TITLE: Physical Dimension	
()	±0.3	()	±0.3	()	±0.3	INTERIOR COUNTERSIGN:	
()	±0.3	()	±0.3	()	±0.3	SHEET: 1 OF 1	REV:01