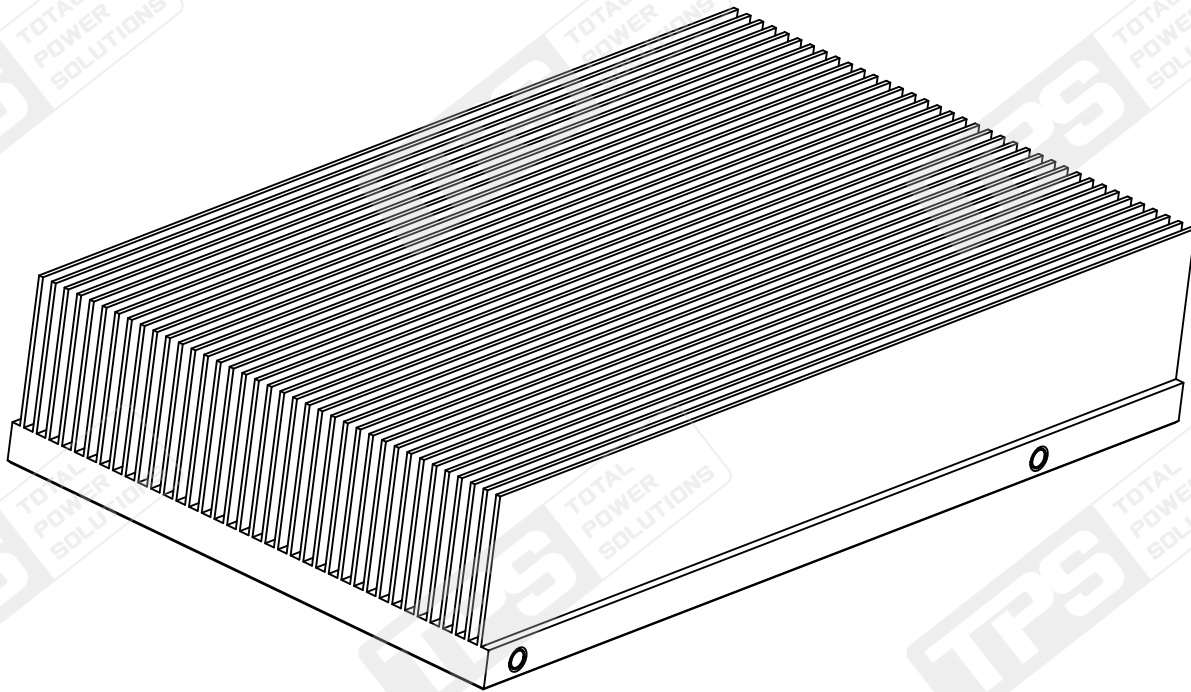


Material: AL6063-T5
Profile Size: 120*40 mm
Manufacturer Code: D01-002
Surface: Anodised/CNC milling
Notes: Length customized according to drawings



(Example)

