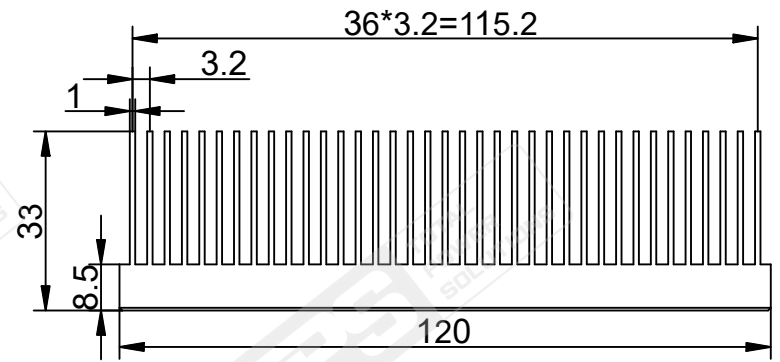
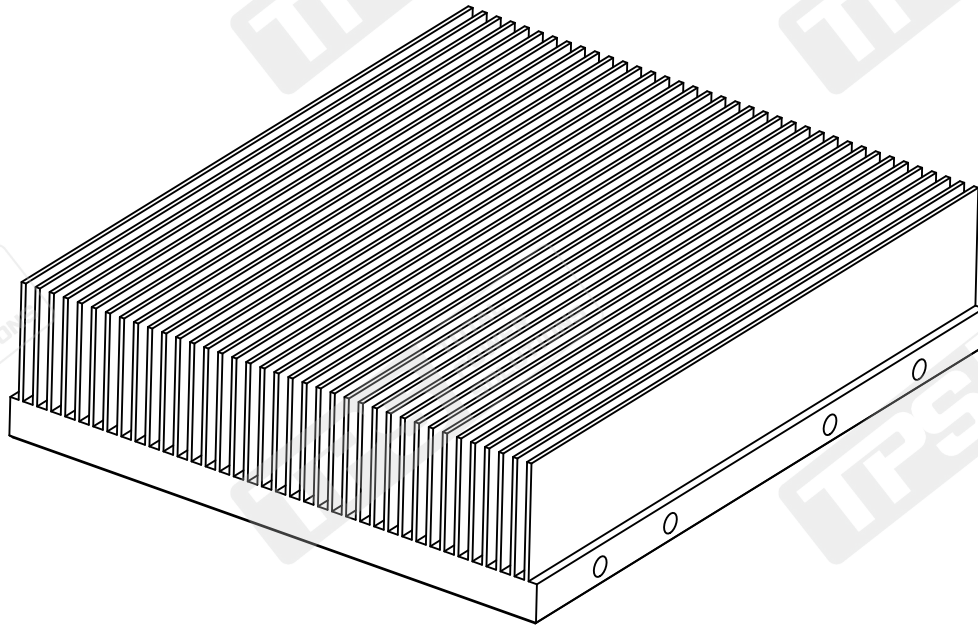


Material: AL6063-T5
Profile Size: 120*33 mm
Manufacturer Code: D01-001
Surface: Anodised/CNC milling
Notes: Length customized according to drawings



(Sample)