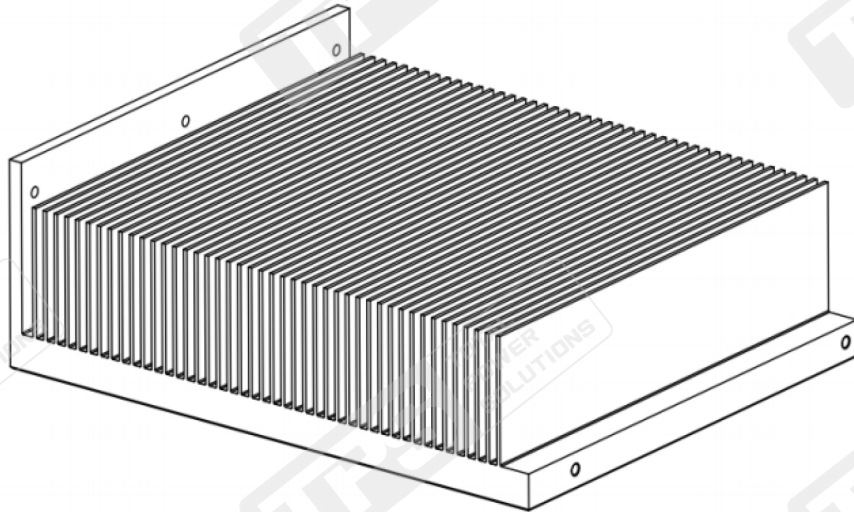


Material: AL6063-T5
Profile Size: 153*40/50 mm
Manufacturer code: D01-018
Surface: Anodised/CNC milling
Notes: Length customized according to drawings



(Example)

