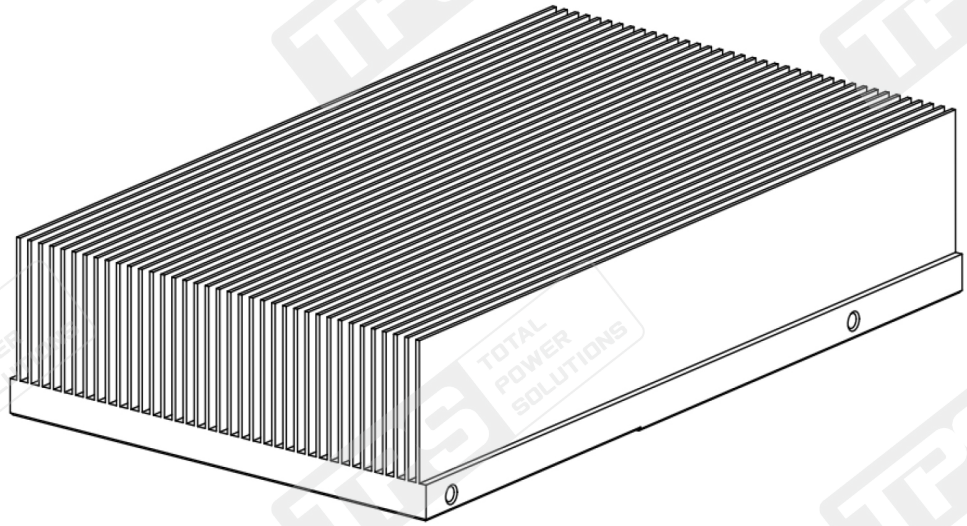


Material: AL6063-T5
Profile Size: 120*44.6 mm
Manufacturer code: D01-020
Surface: Anodised/CNC milling
Notes: Length customized according to drawings



(Example)

