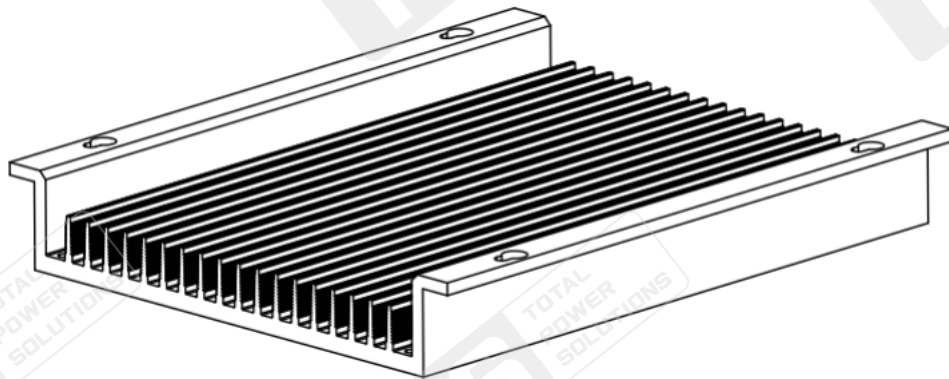


Material: AL6063-T5
Profile Size: 232*45 mm
Manufacturer code: A954
Surface: Anodised/CNC milling
Notes: Length customized according to drawings



(Example e)

