



Features

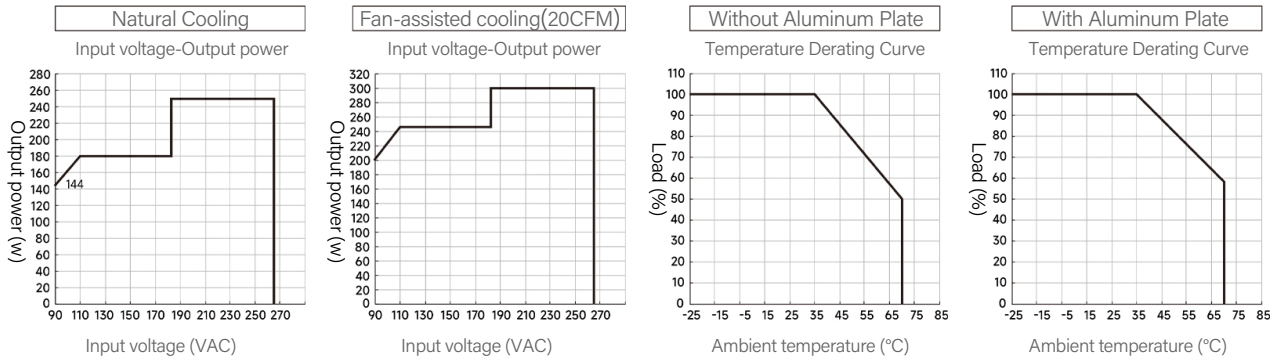
- Fan assisted cooling: 250W(110V)300W(220V)
- Natural cooling: 180W(110V)250W(220V)
- Wide input voltage range: 100-264VAC
- - 25°C ~ +70°C operation temperature
- Active PFC function
- Isolated voltage: 3750VAC
- LED indicator
- Adjustable output voltage
- High reliability, long lifespan, 3-year warranty
- Input undervoltage/overvoltage/overcurrent/short-circuit/overtemperature protection

Specifications

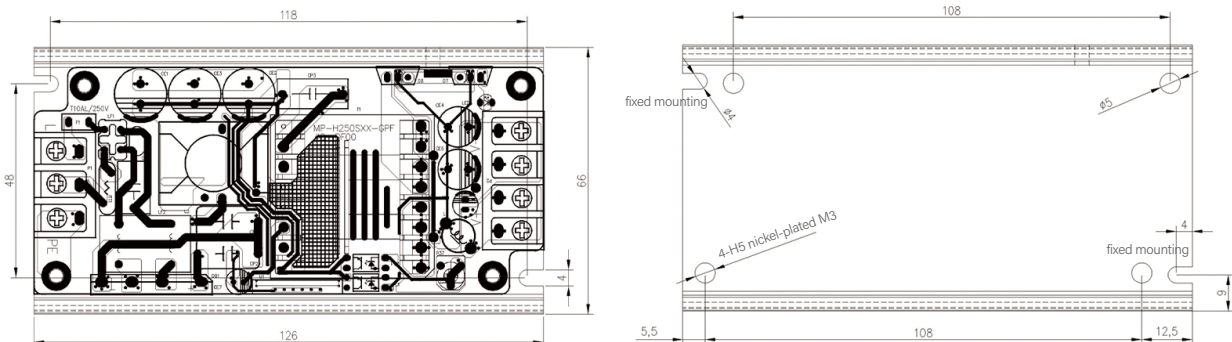
| Model | | TPS-MPH72S-12V | TPS-MPH72S-19V | TPS-MPH72S-24V | TPS-MPH72S-36V | TPS-MPH72S-48V | |
|-----------------------|--|---|----------------|----------------|----------------|----------------|------------|
| Output | Output voltage | 12V | 19V | 24V | 36V | 48V | |
| | Current range (Natural cooling) | 100-176VAC | 0-15A | 0-9.48A | 0-7.5A | 0-5A | 0-3.75A |
| | Current range (Natural cooling) | 176-264VAC | 0-20.84A | 0-13.16A | 0-10.42A | 0-6.95A | 0-5.21A |
| | Current range (20CFM Fan cooling) | 100-176VAC | 0-20.84A | 0-13.16A | 0-10.42A | 0-6.95A | 0-5.21A |
| | Current range (20CFM Fan cooling) | 176-264VAC | 0-25A | 0-15.79A | 0-12.5A | 0-8.33A | 0-6.25A |
| | Power (Natural cooling) | 100-176VAC | 180W | 180W | 180W | 180W | 180W |
| | Power (Natural cooling) | 176-264VAC | 250W | 250W | 250W | 250W | 250W |
| | Power (20CFM Fan cooling) | 100-176VAC | 250W | 250W | 250W | 250W | 250W |
| | Power (20CFM Fan cooling) | 176-264VAC | 300W | 300W | 300W | 300W | 300W |
| | Efficiency (115VAC/230VAC,typ) | | 90%/92% | 91%/93% | 91%/94% | 92%/94% | 92%/94% |
| | Efficiency (115VAC/230VAC,min) | | 88%/90% | 89%/91% | 89%/91% | 90%/92% | 90%/92% |
| | Ripple (Max) | | 120mVp-p | 190mVp-p | 240mVp-p | 240mVp-p | 300mVp-p |
| | Adjustable voltage range (adjustable resistor) | | 11.4~12.6V | 18.5~20.5V | 22.8~25.2V | 33~40V | 45.6~50.4V |
| | Voltage accuracy | | ± 3% | | | | |
| | Voltage overshoot | | <10% | | | | |
| | Line regulation rate | | ± 1% | | | | |
| | Load regulation rate | | ± 3% | | | | |
| Start-up time (mzx) | | 1s | | | | | |
| Rise time (typ) | | 10ms | | | | | |
| Input | Rated voltage | 100-240VAC | | | | | |
| | Voltage range | 100-264VAC | | | | | |
| | Frequency range | Rated frequency 50/60Hz, operational frequency range: 47-63Hz | | | | | |
| | Efficiency factor | >0.92(at full load 115/230VAC) | | | | | |
| | Input current (max) | 2.7A/115VAC, 1.7A/230VAC | | | | | |
| | Standby power consumption (Max) | 0.5W | | | | | |
| | Inrush current (Max) | Cold start: 60A/115VAC, 120A/230VAC | | | | | |
| Leakage current (Max) | 0.7mA/240VAC | | | | | | |
| Protection | Input undervoltage protection | 60-85VAC | | | | | |
| | Output over current protection | 120%-200% output rated current, Hiccup mode, automatically recovers | | | | | |
| | Output over voltage protection | 110%-130% output rated voltage, output shuts down; restarts upon recovery | | | | | |
| | Ohort circuit protection | Hiccup mode, automatically recovers after short-circuit removal | | | | | |
| | Over-temperature protection | Hiccup mode, automatically recovers after temperature drops | | | | | |

| | | |
|----------------|--|---|
| Environmental | Operating Temperature and Humidity | -25°C~+70°C, 20%~90% RH non-condensing (refer to temperature derating curve) |
| | Storage Temperature and Humidity | 40°C~+8510%-95%RH |
| | Temperature coefficient | ± 0.3%/°C (0-50°C) |
| | Vibration | 10-500Hz.2G for 10 minutes per cycle, 60 minutes on each of the X, Y, and Z axes. |
| Safety and EMC | Safety standard | IEC62368 |
| | EMC | CISPR32/EN55032 CLASS B.EN61000-4-2/3/4/6 CLASS B |
| | Withstand voltage | I/P-0/P:3750VAC, I/P-FG:1500VAC,0/P-FG: 500V |
| | Insulation resistance | I/P-0/P, I/P-FG, 0/P-FG: >100M Ohm/500VDC |
| Other | Dimensions(LxWxH) | 126×66×36mm |
| | Weight | approximately 367g |
| Notes | <ol style="list-style-type: none"> Ripple and Noise Testing Standard: Connect 0.1μF and 47μF capacitors in parallel at the output. Use an oscilloscope with 20MHz bandwidth. Testing Conditions: Fan cooling at 20CFM, ambient temperature at 25°C, input voltage of 230VAC, and full load. Typical Values: Unless otherwise specified, all values are measured at 230VAC input and an ambient temperature of 25°C. Voltage Regulation: Measured with input voltage varying from low to high at rated load. Load Regulation: Measured with the output load changing from 1% to 100%. Accuracy: Includes setting error, voltage regulation, and load regulation. Polarity for AC and DC Input: For AC input, there is no distinction between L (live) and N (neutral); for DC input, L is positive, and N is negative. | |

Characteristic Curve



Mechanical Dimensions



This electronic device must not be disposed of in the household waste at the end of its service life. For your return, there are free collection points for electrical appliances and, if necessary, additional points of acceptance for the reuse of the devices in your area. The addresses can be obtained from your city or communal administration. If the old electrical or electronic device contains personal data, you are responsible for deleting it before you return it. Further information: www.elektrogesetz.de