

Features

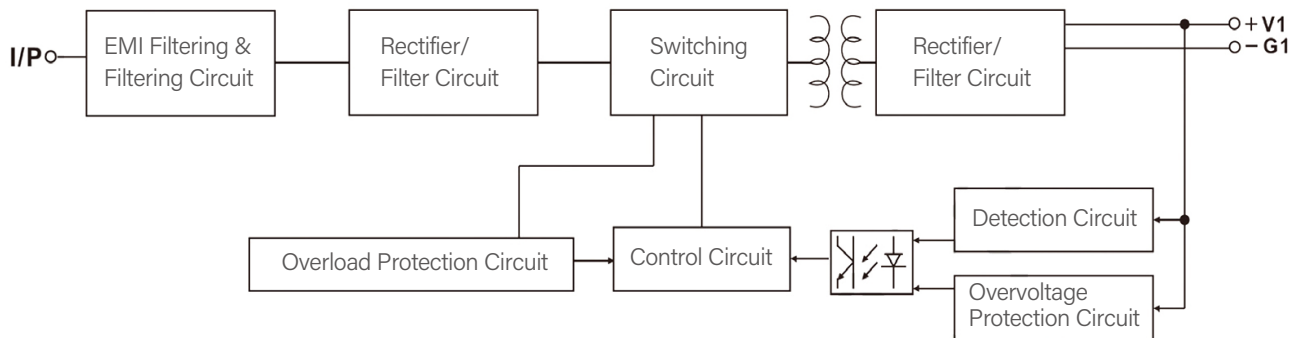
- 3"×2" Compact size, standard dimensions
- Natural air cooling at 60W
- Isolation Voltage: 3000VAC
- Regulated output, low ripple
- Output short-circuit/overcurrent/overpower protection
- High efficiency, high reliability, operable at -25°C
- Fanless, silent design

Specifications

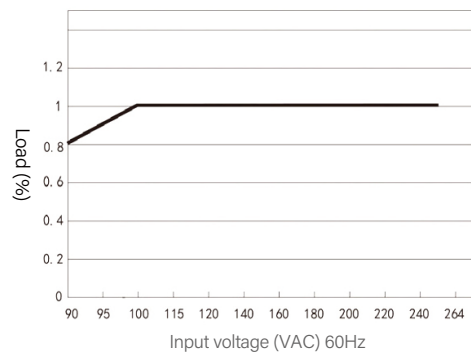
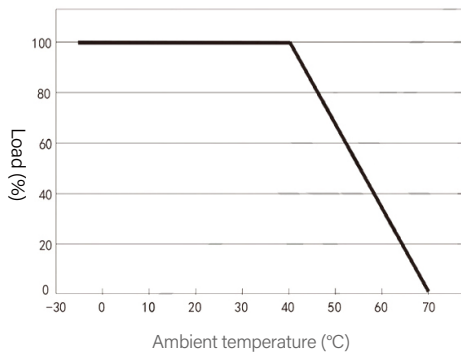
Model		TPS-MPU60S-9V	TPS-MPU60S-12V	TPS-MPU60S-24V	TPS-MPU60S-36V	TPS-MPU60S-48V
Output	Output voltage	9V	12V	24V	36V	48V
	Rated current (Natural cooling)	5A	5A	2.5A	1.5A	1.25A
	Current range (Natural Cooling)	0.1~5A	0.1~5A	0~2.5A	0~1.5A	0~1.25A
	Rated Power (Natural cooling)	54W	60W	60W	54W	60W
	Efficiency (Typ.)	86%	88%	89%	89%	89%
	Ripple (Max.)	90mVp-p	100mVp-p	100mVp-p	120mVp-p	150mVp-p
	Adjustable voltage range	9~15V	9~15V	16~29V	30~55V	30~55V
	Voltage accuracy	±1.0%	±1.0%	±1.0%	±1.0%	±1.0%
	Line regulation	±0.5%	±0.5%	±0.5%	±0.5%	±0.5%
	Load regulation	±1.0%	±1.0%	±1.0%	±1.0%	±1.0%
	Start-up & Rise time	1500ms,30ms/230VAC 2500ms,30ms/115VAC (full load)				
Input	Voltage range	90~264VAC or 127~370VDC; if input voltage is below 100V, power should be reduced.				
	Frequency range	47~63Hz				
	AC power (Typ.)	< 1500mA (<0.5W at no load)				
	Inrush current (Typ.)	Cold start: 30A/230VAC				
	Leakage current	<2mA/240VAC				
Protection	Overload	115%~180% of output power Protection Mode: Hiccup mode, automatically recovers after abnormal load conditions are removed				
	Dc short-circuit protection	Hiccup Mode: Automatically recovers after short-circuit removal				
Environmental	Operating Temperature and Humidity	-25~60°C (refer to derating curve) 20~90%RH, non-condensing				
	Storage Temperature and Humidity	-40~85°C, 10~95%RH				
Safety and EMC	Safety standard	GB4943.1-2011				
	Withstand voltage	I/P-O/P:3KVAC				
	Insulation resistance	I/P-O/P,100M Ohms/500VDC/25°C/70%RH				
	EMC Emission	Complies with EN55032 (CISPR32) Class B, GB 17625.1-2012				
	EMC Immunity	Complies with GB/T9254-2008				
Other	Dimensions (LxWxH)	76*50*26.6mm (L*W*H)				
	Weight	approximately 90g				

Notes	<ol style="list-style-type: none"> All parameters are measured at a rated input voltage of 220VAC, rated load, 25°C, and 70% humidity. Accuracy includes setup error, voltage regulation, and load regulation. Ripple measurement: Power supply and load are connected with 30cm twisted wires, with 0.1µF and 47µF capacitors at the load end, measured by a 20MHz oscilloscope. Voltage adjustment rate is measured by changing the input voltage from low to high with rated load. Load regulation is measured from 0% to 100% load.
--------------	--

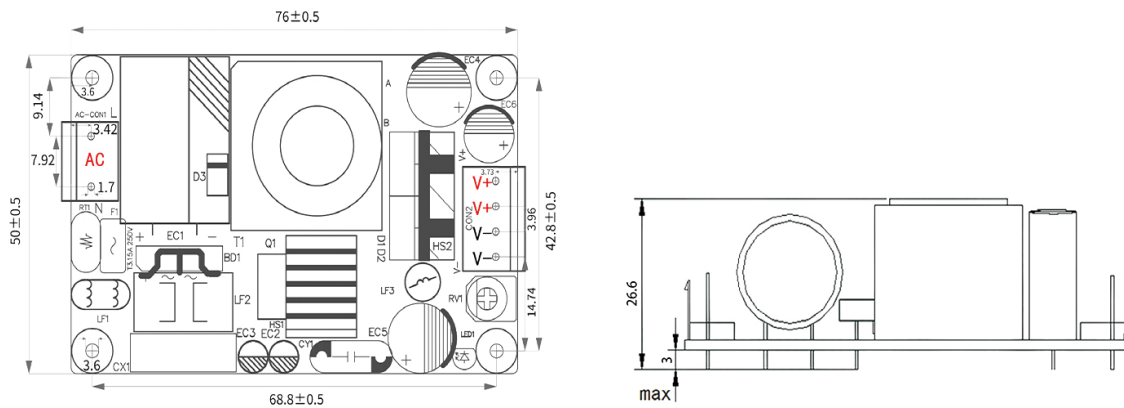
Block Diagram Switching frequency: 63KHz



Mechanical Dimensions Static characteristic curve



Mechanical Dimensions mm



This electronic device must not be disposed of in the household waste at the end of its service life. For your return, there are free collection points for electrical appliances and, if necessary, additional points of acceptance for the reuse of the devices in your area. The addresses can be obtained from your city or communal administration. If the old electrical or electronic device contains personal data, you are responsible for deleting it before you return it. Further information: www.elektrogesetz.de