

Features

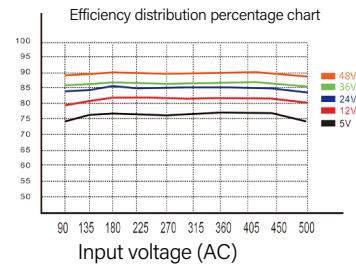
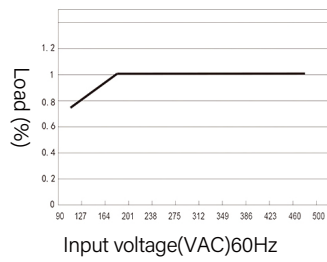
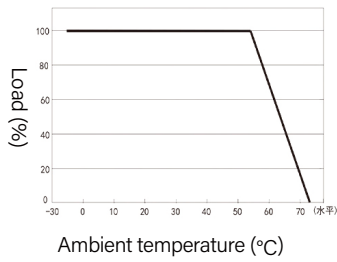
- Input Voltage: AC: 100V - 500V or DC: 141V-707V
- Temperature range: - 30°C~60°C
- Isolated withstand voltage: 3000VAC High Voltage isolated withstand power supply
- Regulated output, low ripple
- Output short-circuit, over current, over power protection
- high efficiency, high reliability

Specifications

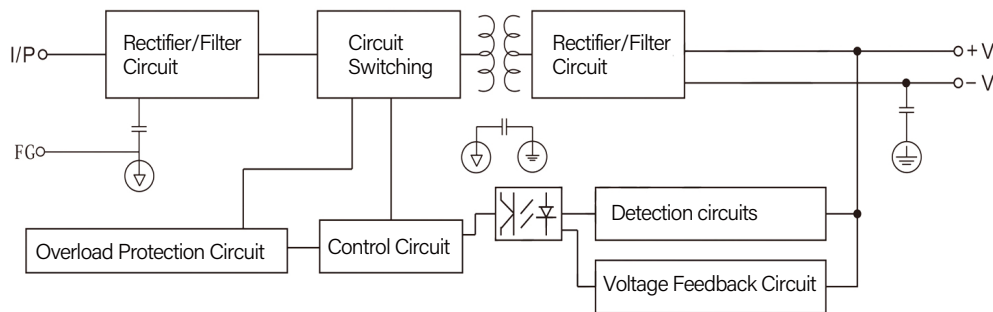
| Model | | TPS-MPT36S-5V | TPS-MPT36S-24V | TPS-MPT36S-12V |
|----------------|------------------------------------|---|----------------|----------------|
| Output | Output voltage | 5V | 12V | 24V |
| | Rated current (176-500VAC) | 6A | 3A | 1.5A |
| | Current range (Natural Cooling) | 0.1~6A | 0.1~3A | 0.1~1.5A |
| | Rated Power (Natural cooling) | 30W | 36W | 36W |
| | Ripple (Max.) | 50mVp-p | 50mVp-p | 80mVp-p |
| | Voltage accuracy | 2.0% | 2.0% | 2.0% |
| | Line regulation | 2.0% | 2.0% | 2.0% |
| | Load regulation | 2.0% | 2.0% | 2.0% |
| | EfficiencyC (Typ.) | 82% | 86.5% | 89% |
| | Adjustable voltage range | Not adjustable; Supports input of 100V-500V. Can operate with any two wires among the four in a three-phase system, compatible with 110V/220V/380V. | | |
| Input | Start-up, Rise and Hold time | 1500ms,30ms/230VAC2500ms,30ms/115VAC (full load) | | |
| | Voltage range | 100~500VAC or 141~707VDC | | |
| | Frequency range | 47~63Hz | | |
| | AC power (Typ.) | <0.8A (<0.3W at no load) | | |
| | Inrush current (Typ.) | Cold Start: 30A/230VAC | | |
| Protection | Leakage current | <2mA/240VAC | | |
| | Overload | 120%~180% of rated power Protection Mode: Hiccup mode, automatically recovers after abnormal load conditions are removed | | |
| Environmental | Operating Temperature and Humidity | -30~60°C (refer to derating curve) 20~90%RH, non-condensing | | |
| | Storage Temperature and Humidity | -40~+85°C,10~95%RH | | |
| Safety and EMC | Safety standard | GB 4943.1-2011 | | |
| | Withstand voltage | I/P-0/P: 3KVAC | | |
| | Insulation resistance | I/P-O/P, 100M Ohms/500VDC/25°C/70%RH | | |
| | EMC Emission | Complies with EN55032 (CISPR32) Class A,GB 17625.1-2012 | | |
| | EMC Immunity | Complies with GB/T9254-2008 | | |
| Other | Dimensions (LxWxH) | 76*50*26.5mm (L*W*H) | | |
| | Weight | approximately 95g | | |

| | |
|--------------|---|
| Notes | <ol style="list-style-type: none"> 1. All parameters are measured at a rated input voltage of 220VAC, rated load, 25°C, and 70% humidity. 2. Accuracy includes setup error, voltage regulation, and load regulation. 3. Ripple measurement: Power supply and load are connected with 30cm twisted wires, with 0.1μF and 47μF capacitors at the load end, measured by a 20MHz oscilloscope. 4. Voltage adjustment rate is measured by changing the input voltage from low to high with rated load. 5. Load regulation is measured from 1% to 100% load. |
|--------------|---|

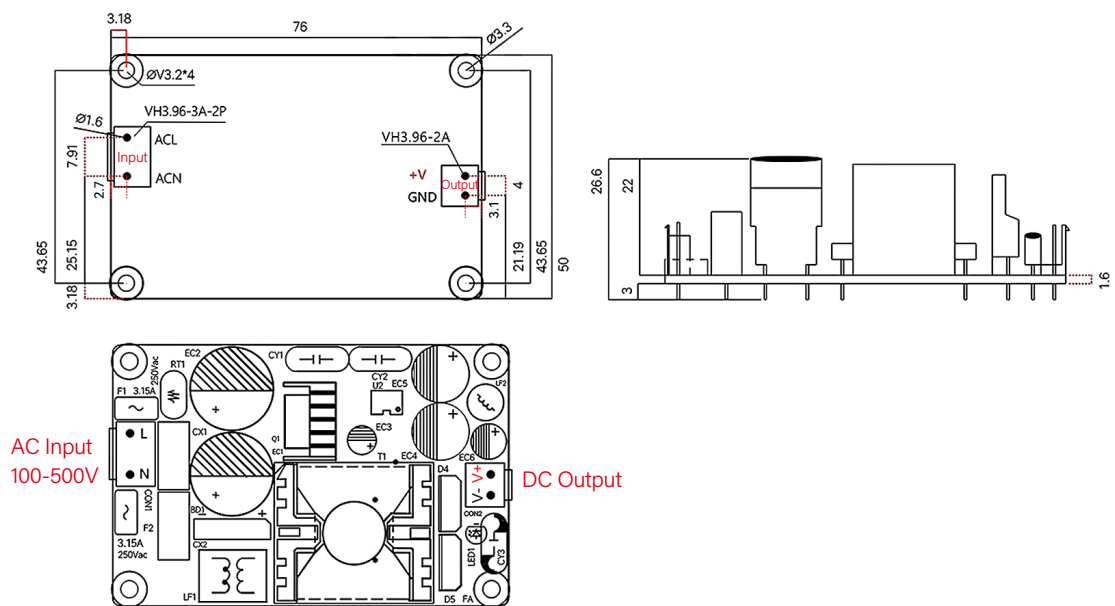
Derating Curve **Static Characteristic Curve**



Block Diagram Switching frequency: 63KHz



Mechanical Dimensions mm



This electronic device must not be disposed of in the household waste at the end of its service life. For your return, there are free collection points for electrical appliances and, if necessary, additional points of acceptance for the reuse of the devices in your area. The addresses can be obtained from your city or communal administration. If the old electrical or electronic device contains personal data, you are responsible for deleting it before you return it. Further information: www.elektrogesetz.de